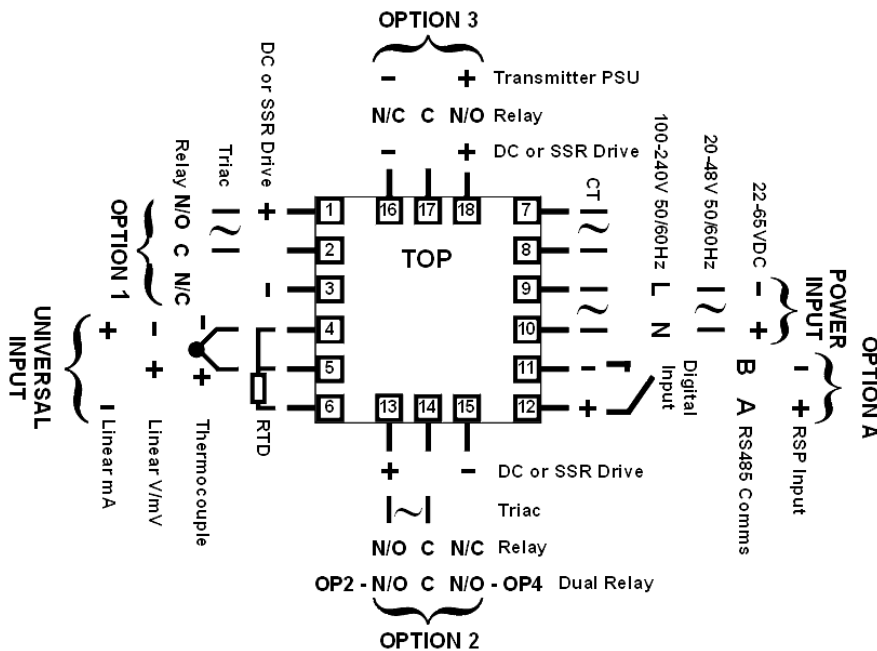
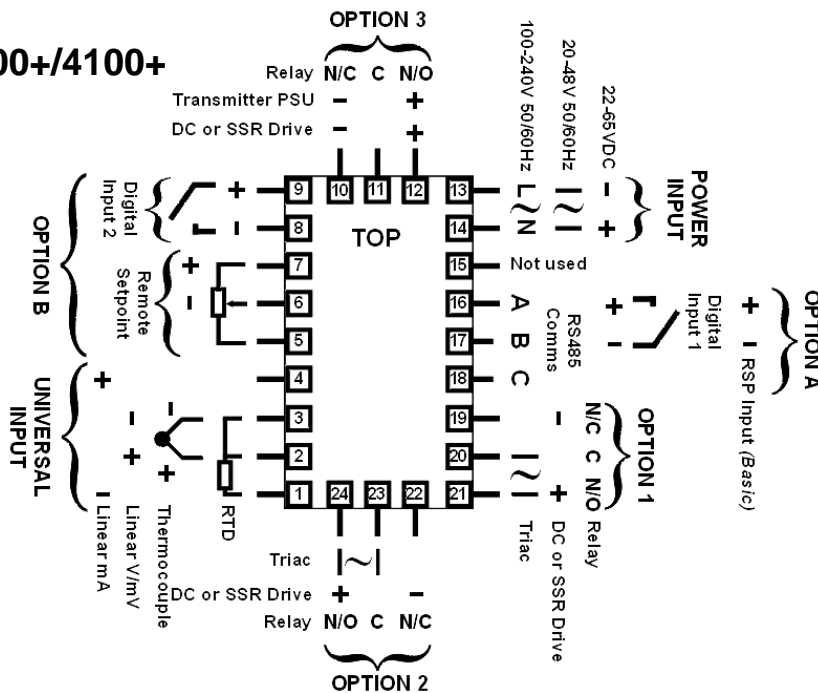


## Wiring Connections

### 6100+



### 8100+/4100+



#### Field Reconfiguration

##### Input

Jumper-free configuration for any type (no extra parts required)

Option Slot 1	Part Number
Relay Output.....	PO1-C10
Linear mA/V DC Output.....	PO1-C21
SSR Driver Output.....	PO1-C50
Triac Output.....	PO1-C80
Option Slot 2	Part Number
Relay Output.....	PO2-C10
Linear mA/V DC Output.....	PO2-C21
SSR Driver Output.....	PO2-C50
Triac Output.....	PO2-C80
Dual Relay Output.....	PO2-W09
Option Slot 3	Part Number
Relay Output.....	PO2-C10
Linear mA/V DC Output.....	PO2-C21
SSR Driver Output.....	PO2-C50
24VDC Transmitter PSU.....	PO2-W08
Option Slot A	Part Number
Digital Input.....	PA1-W03
Auxiliary Input (Basic).....	PA1-W04
RS485 Comms.....	PA1-W06

#### Field Reconfiguration

##### Input

Jumper-free configuration for any type (no extra parts required)

Option Slot 1	Part Number
Relay Output.....	PO1-C10
Linear mA/V DC Output.....	PO1-C21
SSR Driver Output.....	PO1-C50
Triac Output.....	PO1-C80
Option Slot 2	Part Number
Relay Output.....	PO2-C10
Linear mA/V DC Output.....	PO2-C21
SSR Driver Output.....	PO2-C50
Triac Output.....	PO2-C80
Dual Relay Output.....	PO2-W09
Option Slot 3	Part Number
Relay Output.....	PO2-C10
Linear mA/V DC Output.....	PO2-C21
SSR Driver Output.....	PO2-C50
24VDC Transmitter PSU.....	PO2-W08
Dual Relay Output.....	PO2-W09
Option Slot A	Part Number
Digital Input.....	PA1-W03
Auxiliary Input (Basic).....	PA1-W04
RS485 Comms.....	PA1-W06
Option Slot B	Part Number
Auxiliary Input (Full).....	PB1-W0R